

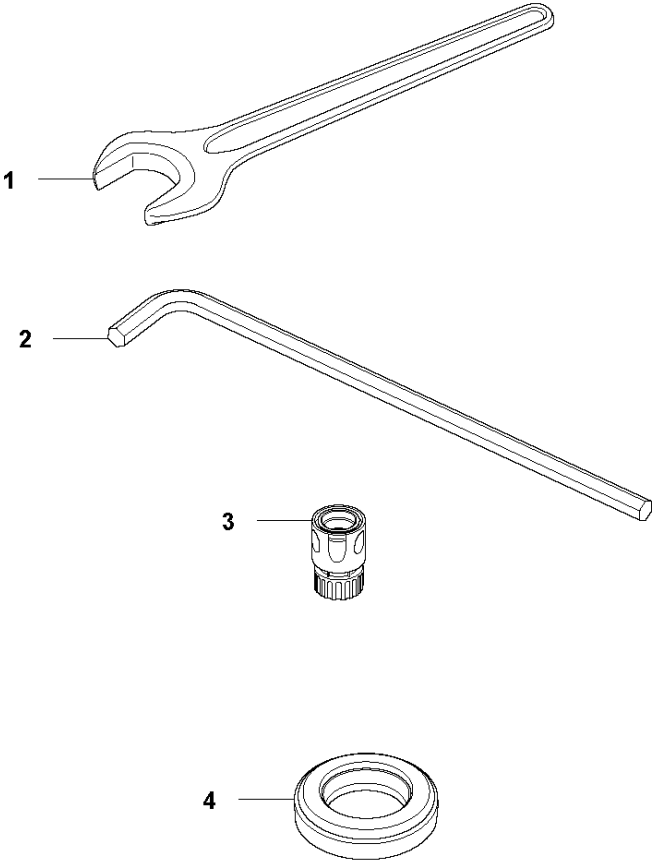


SPARE PARTS LIST

DRILLING EQUIPMENT

DM650, 2013-07

E DM 650
ACCESSORIES

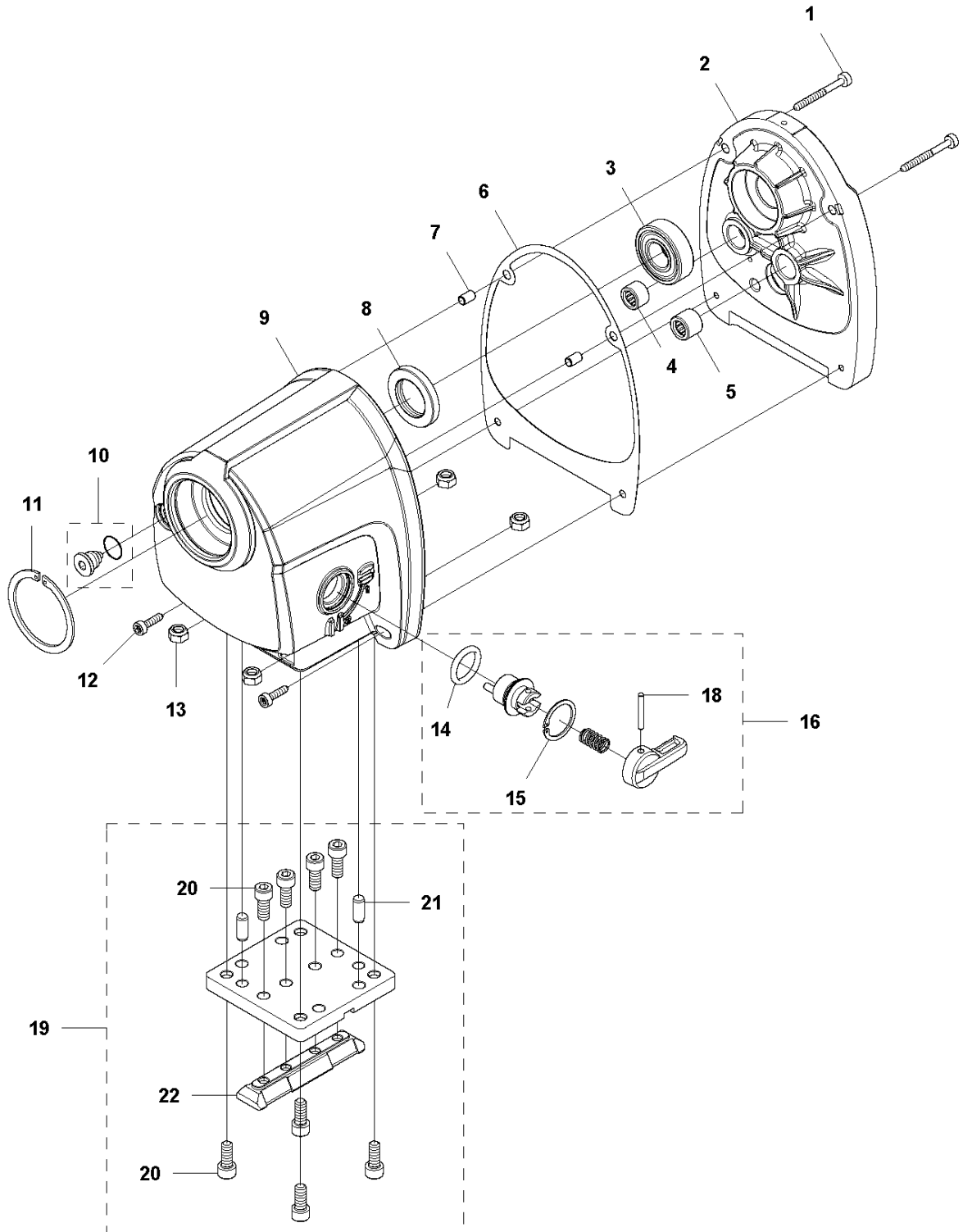


ACCESSORIES


DM650, 2013-07

| Ref | Part No | Description | Remark | QTY KIT |
|-----|--------------|-----------------|--------|---------|
| 1 | 531 14 09-52 | SPANNER | | 1 |
| 2 | 525 43 76-01 | ALLEN KEY | | 1 |
| 3 | 503 26 60-03 | COUPLER | | 1 |
| 3 | 503 26 60-04 | COUPLER | | 1 |
| 4 | 543 05 28-78 | WATER COLLECTOR | | 1 |

A DM 650
GEAR BOX



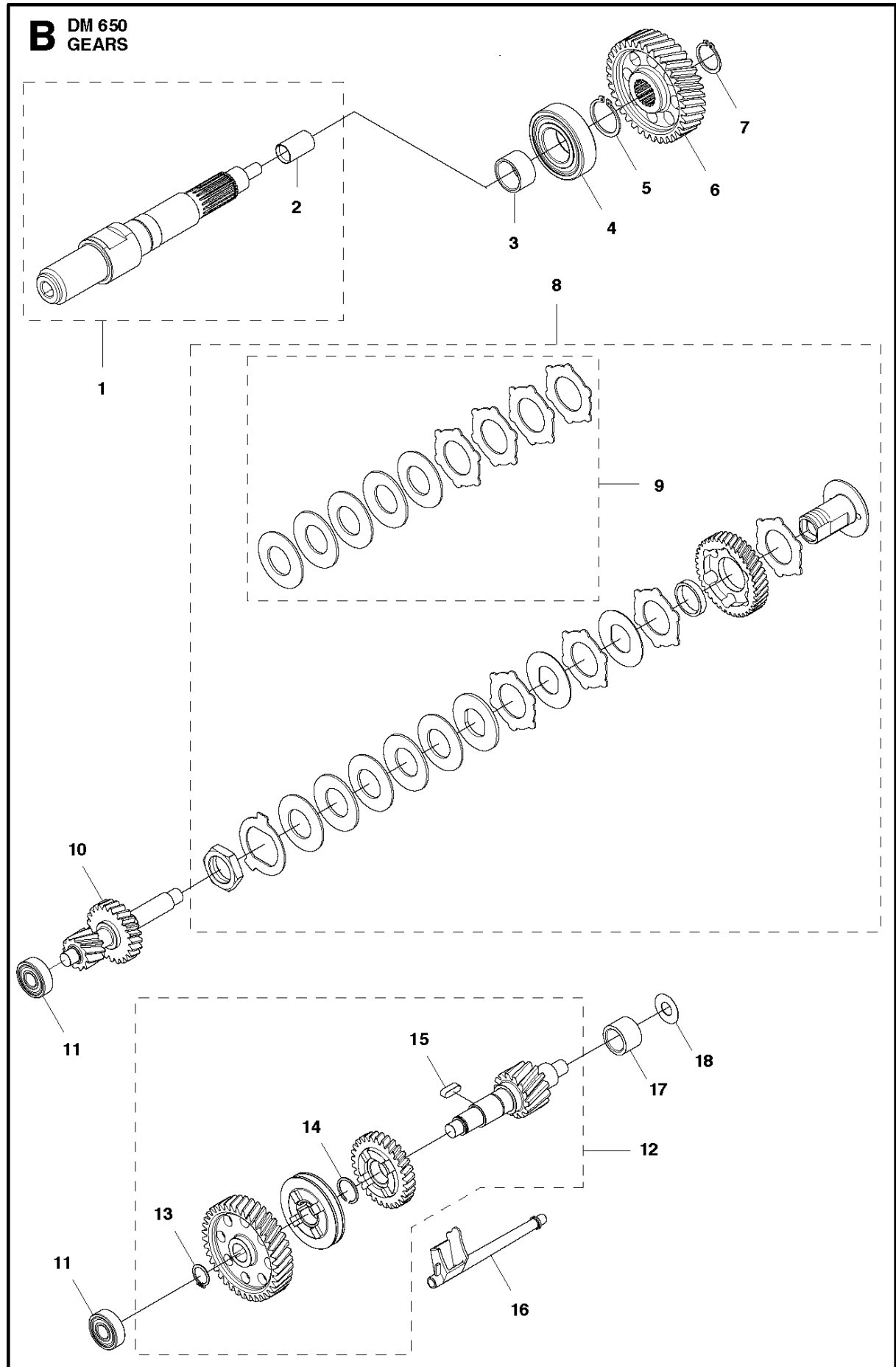
23

| | | Ømm | ØInch |
|---|---|---------|-------|
|  | 1 | 300-600 | 12-24 |
| | 2 | 100-300 | 4-12 |

GEAR BOX

DM650, 2013-07

| Ref | Part No | Description | Remark | QTY | KIT |
|-----|--------------|---------------------|--------|-----|-----|
| 1 | 501 98 10-02 | SCREW ITXSCM | | 2 | |
| 2 | 586 50 14-01 | COVER | | 1 | |
| 3 | 738 22 06-29 | BALL BEARING | | 1 | |
| 4 | 503 25 53-01 | NEEDLE BEARING | | 1 | |
| 5 | 575 36 21-01 | NEEDLE BEARING | | 1 | |
| 6 | 525 39 50-01 | GASKET | | 1 | |
| 7 | 575 45 24-01 | GUIDE | | 2 | |
| 8 | 502 49 63-02 | SEALING RING | | 1 | |
| 9 | 525 39 34-01 | GEAR HOUSING | | 1 | |
| 10 | 525 48 10-01 | OIL PLUG | | 1 | |
| 11 | 502 49 70-01 | CIRCLIP | | 1 | |
| 12 | 501 98 10-04 | SCREW ITXSCM | | 2 | |
| 13 | 732 25 18-01 | HEXAGON LOCKING NUT | | 4 | |
| 14 | 740 43 15-00 | O-RING | | 1 | 16 |
| 15 | 735 31 30-11 | CIRCLIP | | 1 | |
| 16 | 588 59 57-01 | GEAR SHIFT LEVER | | 1 | |
| 18 | 720 12 76-06 | PARALLEL PIN | | 1 | |
| 19 | 577 54 91-01 | KIT | | 1 | |
| 20 | 725 54 51-01 | SCREW IHSCM | | 8 | |
| 21 | 720 14 01-06 | PARALLEL PIN | | 2 | |
| 22 | 575 80 81-01 | WEDGE | | 1 | |
| 23 | 575 00 95-01 | LABEL | | 1 | |

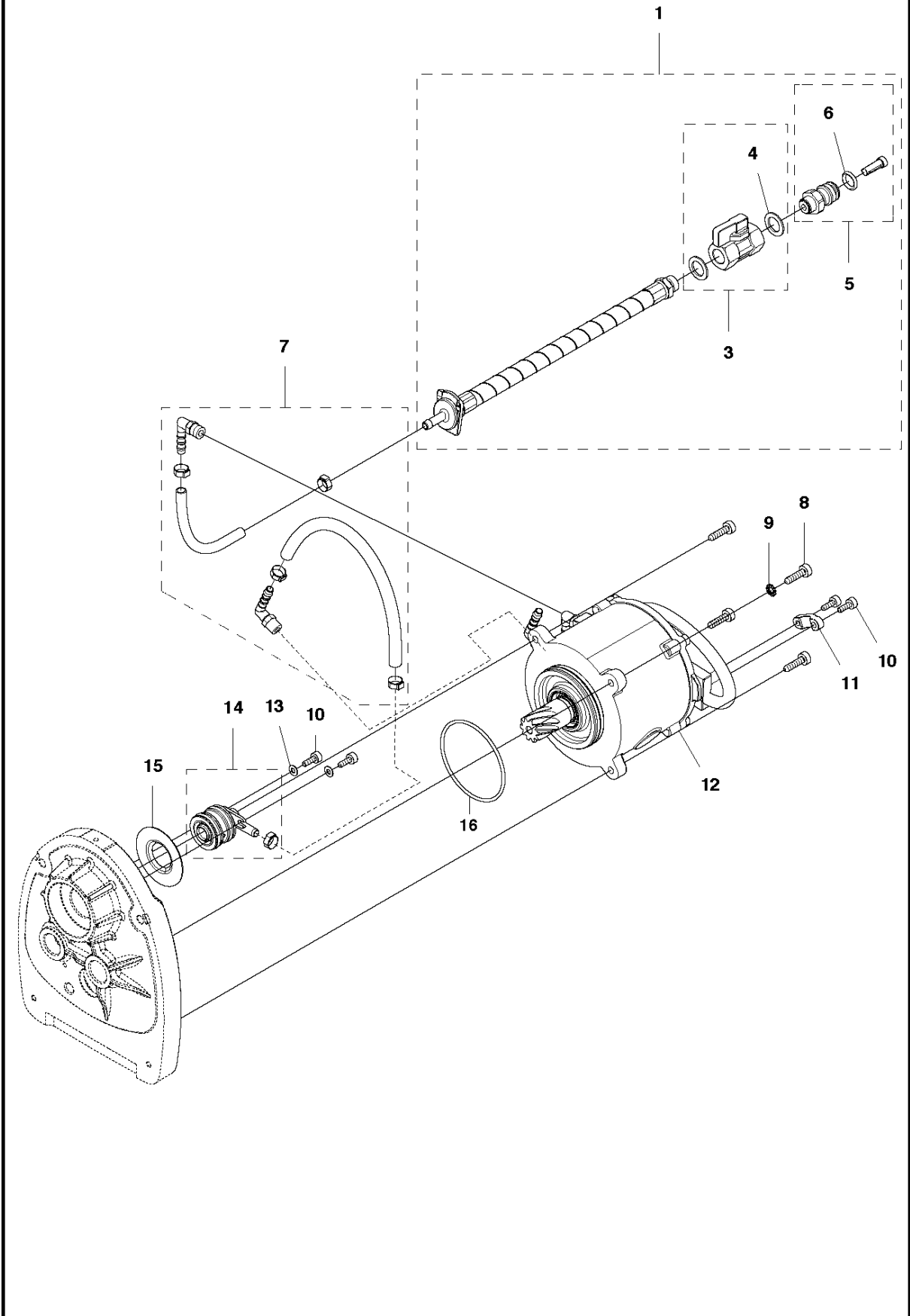


GEARS

DM650, 2013-07

| Ref | Part No | Description | Remark | QTY KIT |
|-----|--------------|------------------|--------|---------|
| 1 | 585 24 16-01 | SPINDLE SHAFT | | 1 |
| 2 | 504 73 59-01 | SLEEVE | | 1 |
| 1 | 585 24 16-02 | SPINDLE SHAFT | | 1 |
| 3 | 585 07 19-01 | SPACER | | 1 |
| 4 | 738 22 04-19 | BALL BEARING | | 1 |
| 5 | 735 31 30-00 | CIRCLIP | | 1 |
| 6 | 584 98 53-02 | GEAR WHEEL | | 1 |
| 7 | 585 47 49-01 | RETAINER RING | | 2 |
| 8 | 580 63 71-01 | CLUTCH ASSY | | 1 |
| 9 | 577 55 83-01 | KIT | | 1 |
| 10 | 580 63 50-01 | GEAR WHEEL SHAFT | | 1 |
| 11 | 738 22 01-19 | BALL BEARING | | 2 |
| 12 | 580 63 51-01 | GEAR WHEEL ASSY | | 1 |
| 13 | 735 31 18-00 | CIRCLIP | | 1 |
| 14 | 735 31 22-40 | CIRCLIP | | 1 |
| 15 | 576 85 56-02 | PARALLEL KEY | | 1 |
| 16 | 575 25 83-01 | OIL PIPE | | 1 |
| 17 | 586 09 19-01 | SPACER | | 1 |
| 18 | 586 03 98-01 | WASHER | | 1 |

C DM 650
MOTOR

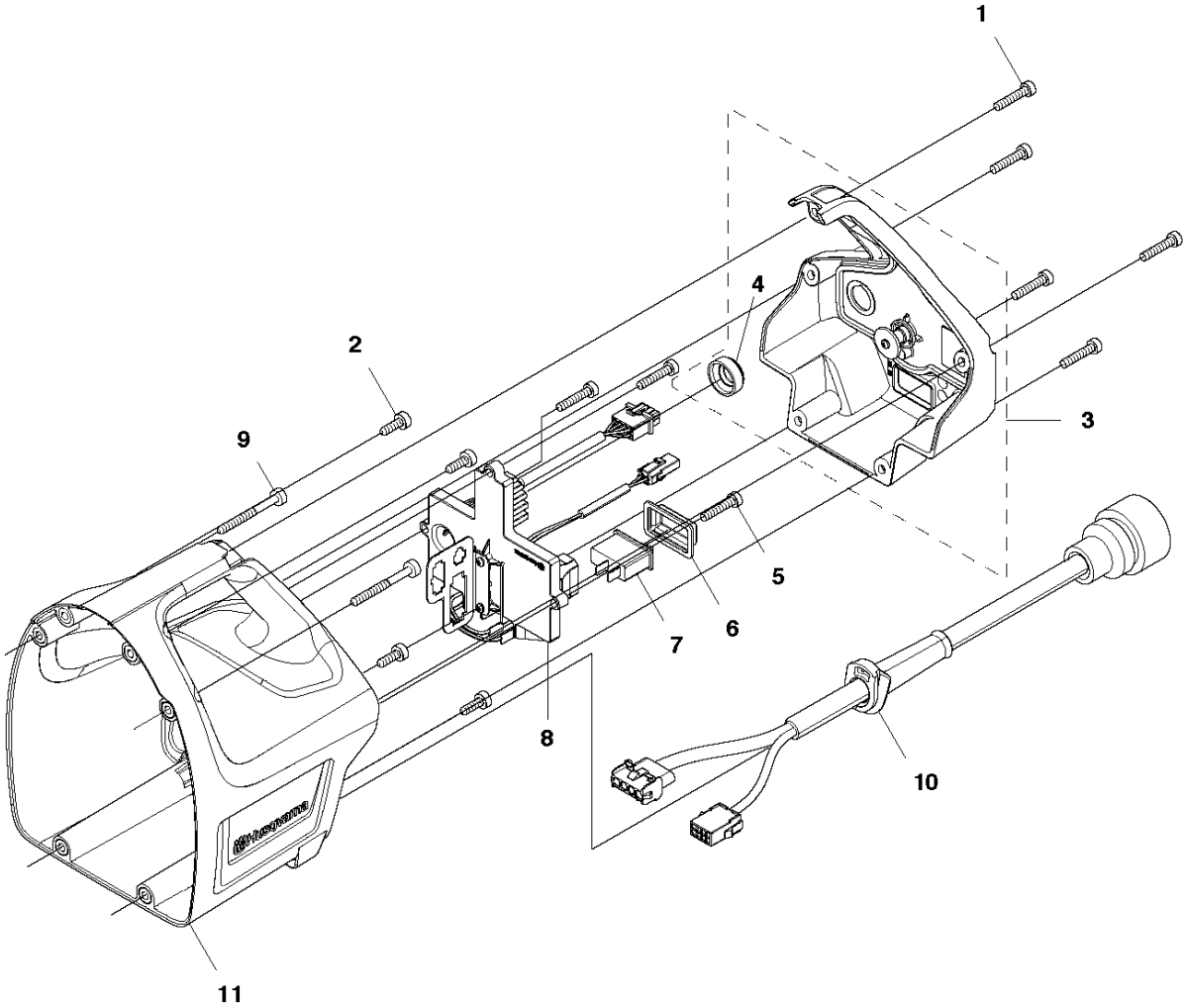


MOTOR

DM650, 2013-07

| Ref | Part No | Description | Remark | QTY KIT |
|-----|--------------|--------------|--------|---------|
| 1 | 584 25 19-06 | HOSE ASSY | | 1 |
| 3 | 510 19 59-01 | VALVE KIT | | 1 |
| 4 | 531 07 42-60 | WASHER | | 2 |
| 5 | 510 11 20-01 | NIPPLE | | 1 |
| 6 | 505 10 35-01 | O-RING | | 1 |
| 7 | 577 55 87-02 | HOSE KIT | | 1 |
| 8 | 503 21 53-20 | SCREW ITXSCM | | 4 |
| 9 | 735 21 46-01 | LOCK WASHER | | 1 |
| 10 | 725 52 91-56 | SCREW IHSCM | | 2 |
| 11 | 575 73 40-01 | CABLE CLAMP | | 1 |
| 12 | 576 21 45-02 | MOTOR ASSY | | 1 |
| 13 | 734 11 36-01 | WASHER | | 2 |
| 14 | 577 75 82-01 | KIT | | 1 |
| 15 | 584 39 02-01 | GUIDE WASHER | | 1 |
| 16 | 575 49 30-01 | O-RING | | 1 |

D DM 650
REAR HANDLE



REAR HANDLE

DM650, 2013-07

| Ref | Part No | Description | Remark | QTY KIT |
|-----|--------------|----------------|--------|---------|
| 1 | 504 90 94-14 | SCREW ITXSCT | | |
| 2 | 503 21 53-16 | SCREW ITXSCM | | |
| 3 | 575 47 00-03 | COVER | | |
| 4 | 574 27 27-01 | PROTECTIVE CAP | | |
| 5 | 573 92 58-04 | SCREW ITXSCT | | |
| 6 | 574 27 28-01 | PROTECTIVE CAP | | |
| 7 | 574 26 61-01 | SWITCH | | |
| 8 | 586 06 26-01 | HOLDER | | |
| 9 | 501 98 10-02 | SCREW ITXSCM | | |
| 10 | 522 93 61-02 | CABLE ASSY | | |
| 11 | 575 21 93-01 | MOTOR HOUSING | | |