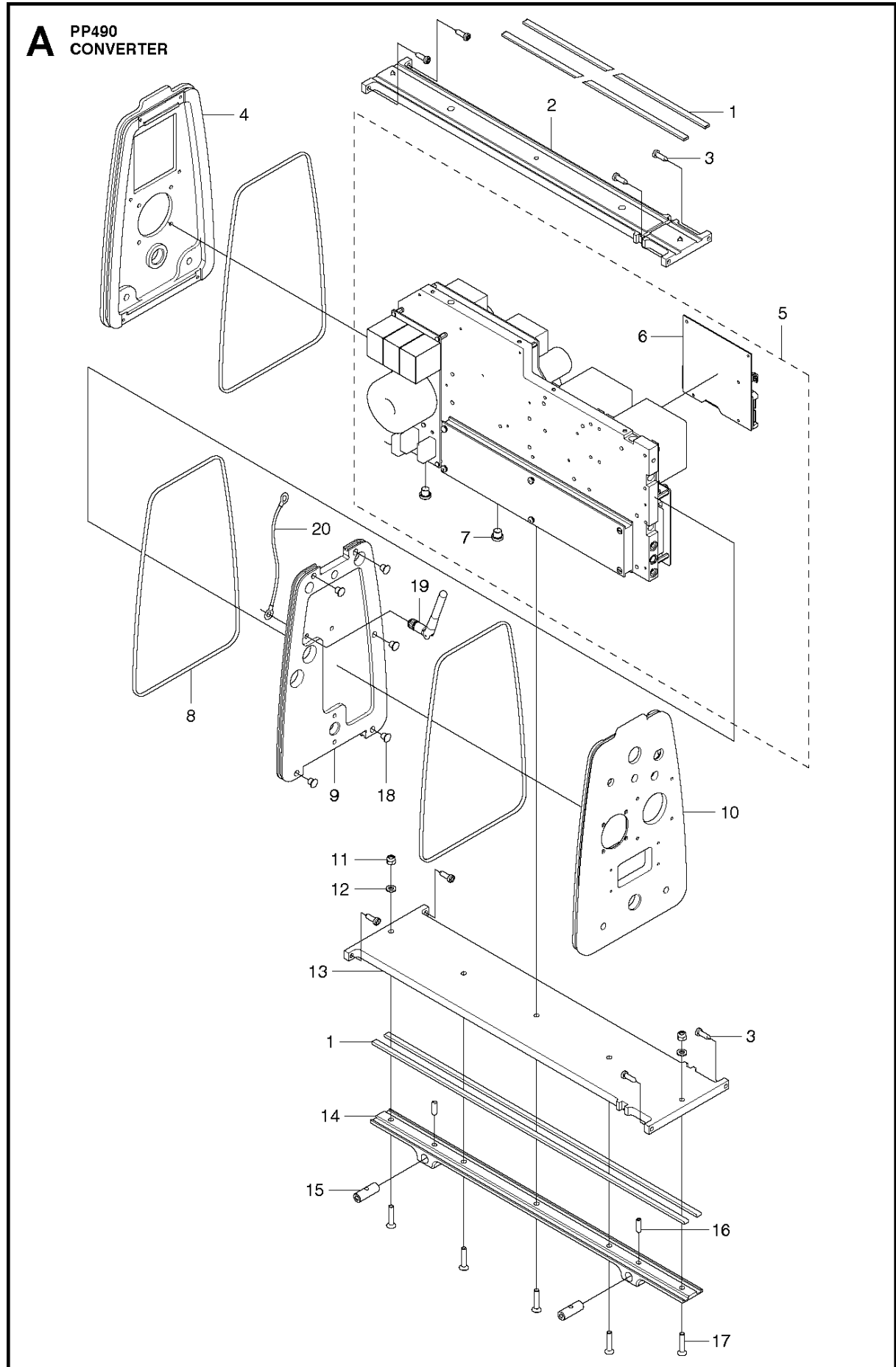




# SPARE PARTS LIST

POWER PACKS

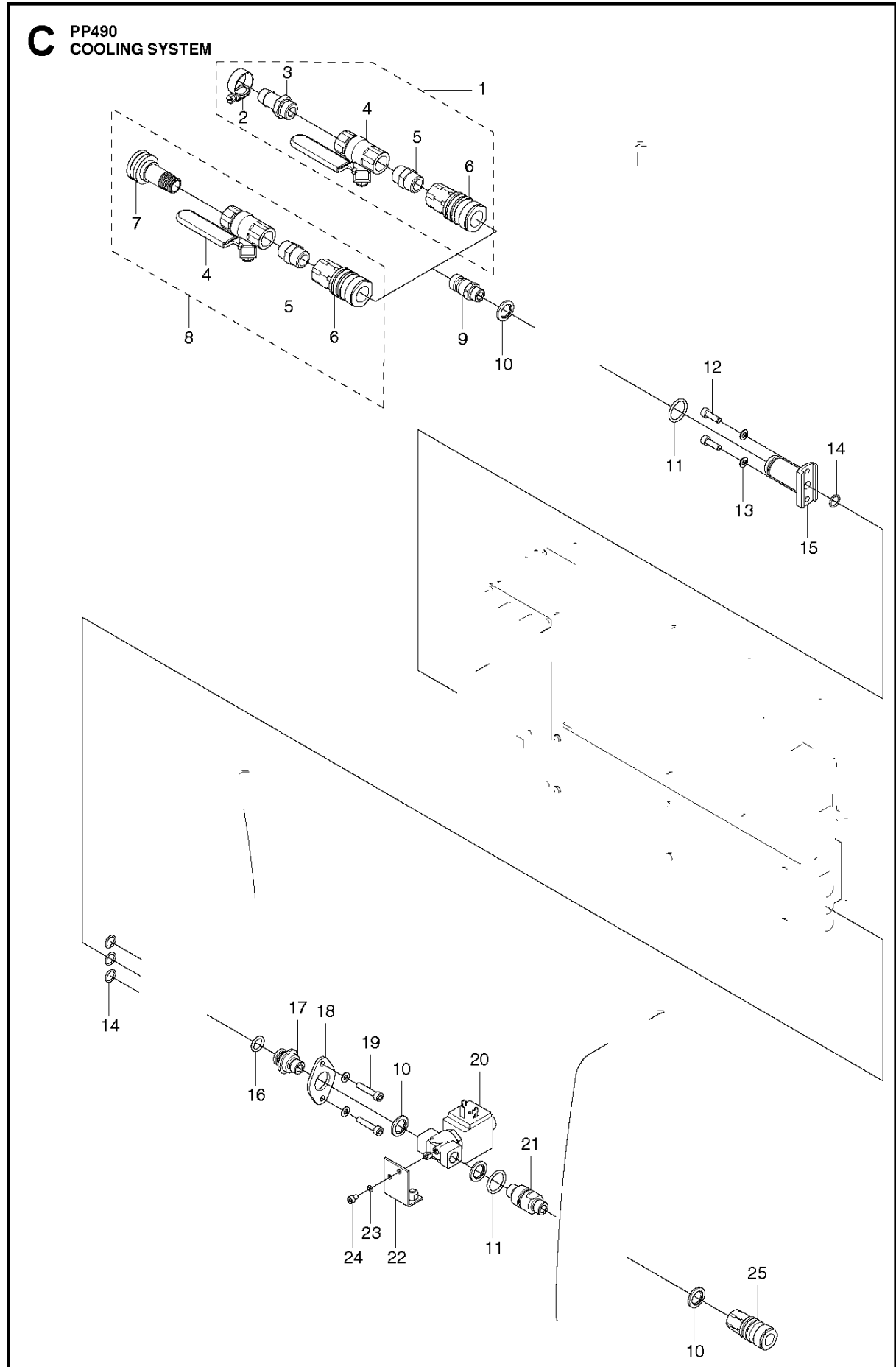
PP 490, 2016-01



## CONVERTER

PP 490, 2016-01

Ref	Part No	Description	Remark	QTY KIT
1	505 52 85-02	SEALING STRIP		4
2	522 61 53-01	SUPPORT PLATE		1
3	575 61 74-03	SCREW		8
4	587 00 54-01	GABLE		1
5	588 76 64-01	PRINTED CIRCUIT BOARD		1
6	582 02 24-01	PRINTED CIRCUIT ASSY		1
7	531 11 93-37	PLUG		6
8	505 26 61-01	O-RING		3
9	588 26 21-01	PROTECTIVE PLATE		1
10	587 00 53-02	GABLE		1
11	732 25 16-01	HEXAGON LOCKING NUT		1
12	734 11 52-01	WASHER		1
13	522 61 52-01	BASEPLATE		1
14	522 61 60-01	GABLE		1
15	531 12 34-17	LOCKING SLEEVE		2
16	728 73 70-05	STOP SCREW		2
17	725 63 74-51	SCREW		5
18	505 52 86-01	PLUG		5
19	588 60 99-01	ANTENNA		1
20	588 61 00-01	EXTENSION CABLE		1

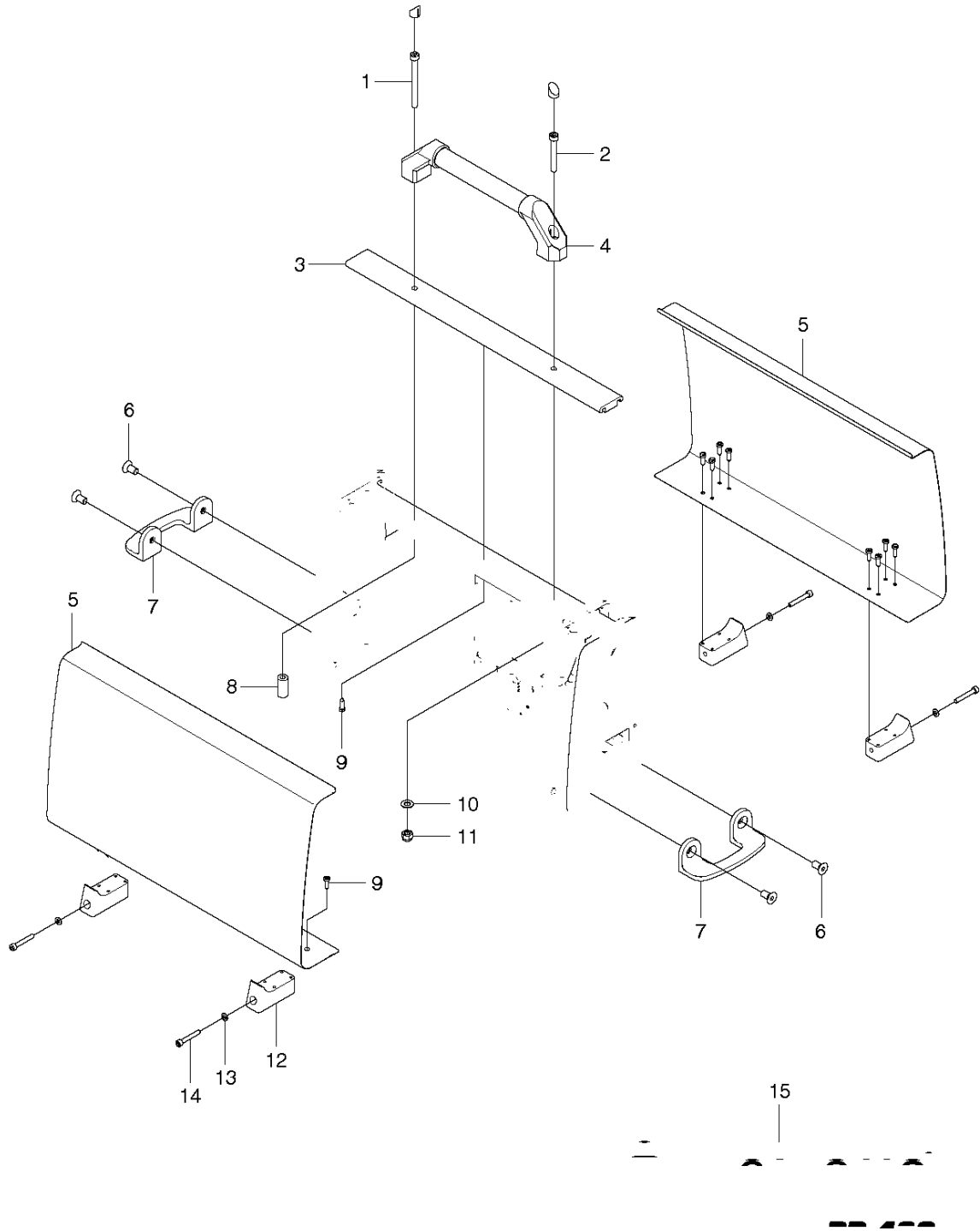


## COOLING SYSTEM

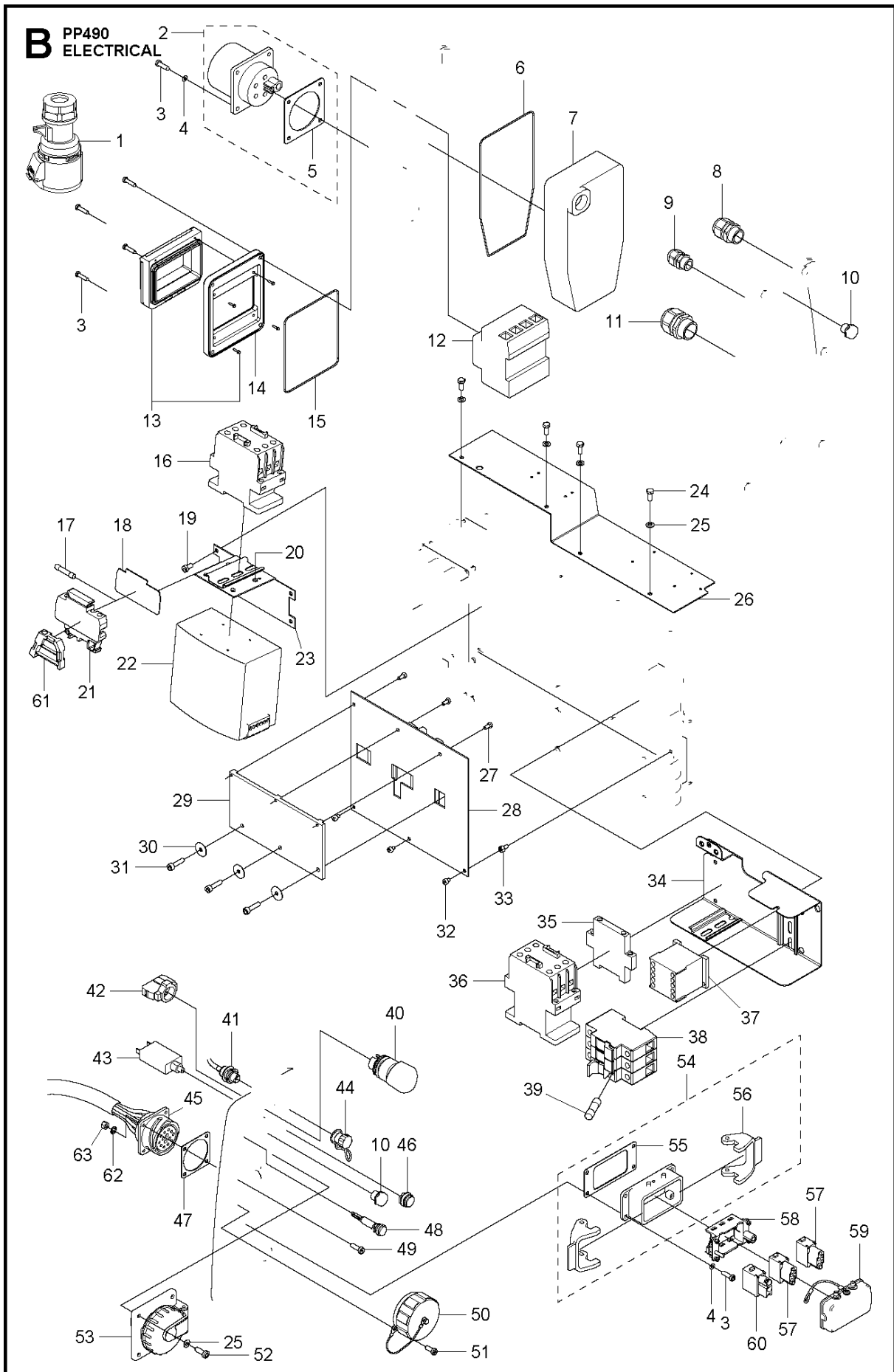
PP 490, 2016-01

Ref	Part No	Description	Remark	QTY KIT	
1	505 42 42-01	VALVE ASSY		1	
2	531 11 90-14	HOSE CLAMP		1	1
3	531 11 80-05	NIPPLE		1	1
4	531 11 80-18	BALL		2	1, 8
5	505 40 74-01	NIPPLE		2	1, 8
6	531 11 80-03	HYDRAULIC COUPLING FEMA		2	1, 8
7	505 56 87-01	CONNECTION		1	8
8	506 74 83-01	VALVE ASSY		1	
9	531 11 83-54	NIPPLE		1	
10	740 38 27-01	SEALING WASHER		4	
11	740 43 13-00	O-RING		2	
12	725 53 29-01	SCREW IHSCM		2	
13	734 11 46-01	WASHER		4	
14	740 42 08-00	O-RING		4	
15	531 12 34-10	WATER INLET		1	
16	740 43 09-00	O-RING		1	
17	531 12 34-11	DISTANCE		1	
18	531 12 34-12	CLAMPING WASHER		1	
19	725 53 33-01	SCREW IHSCM		2	
20	505 52 73-01	VALVE		1	
21	531 12 34-13	OUTLETT FROM WATER VALVE		1	
22	574 18 48-01	ANGLE BRACKET		1	
23	734 11 35-71	WASHER		2	
24	725 52 85-01	SCREW IHSCM		2	
25	531 11 82-19	QUICK COUPLING		1	

**D** PP490  
COVER



Ref	Part No	Description	Remark	QTY KIT
1	725 54 63-01	SCREW IHSCM		1
2	725 54 69-51	SCREW IHSCM		1
3	522 61 59-01	GABLE		1
4	505 52 72-01	HANDLE		1
5	522 61 61-01	SIDE PANEL		2
6	725 64 91-01	SCREW IHCSFM		4
7	531 12 33-61	PROTECTION BAR		2
8	525 58 22-01	DISTANCE		1
9	575 61 74-03	SCREW		19
10	734 11 63-01	WASHER		1
11	732 25 18-01	HEXAGON LOCKING NUT		1
12	531 12 34-16	FOOT		4
13	734 11 52-01	WASHER		4
14	725 53 78-01	SCREW IHSCM		4
15	588 88 79-01	DECAL		2

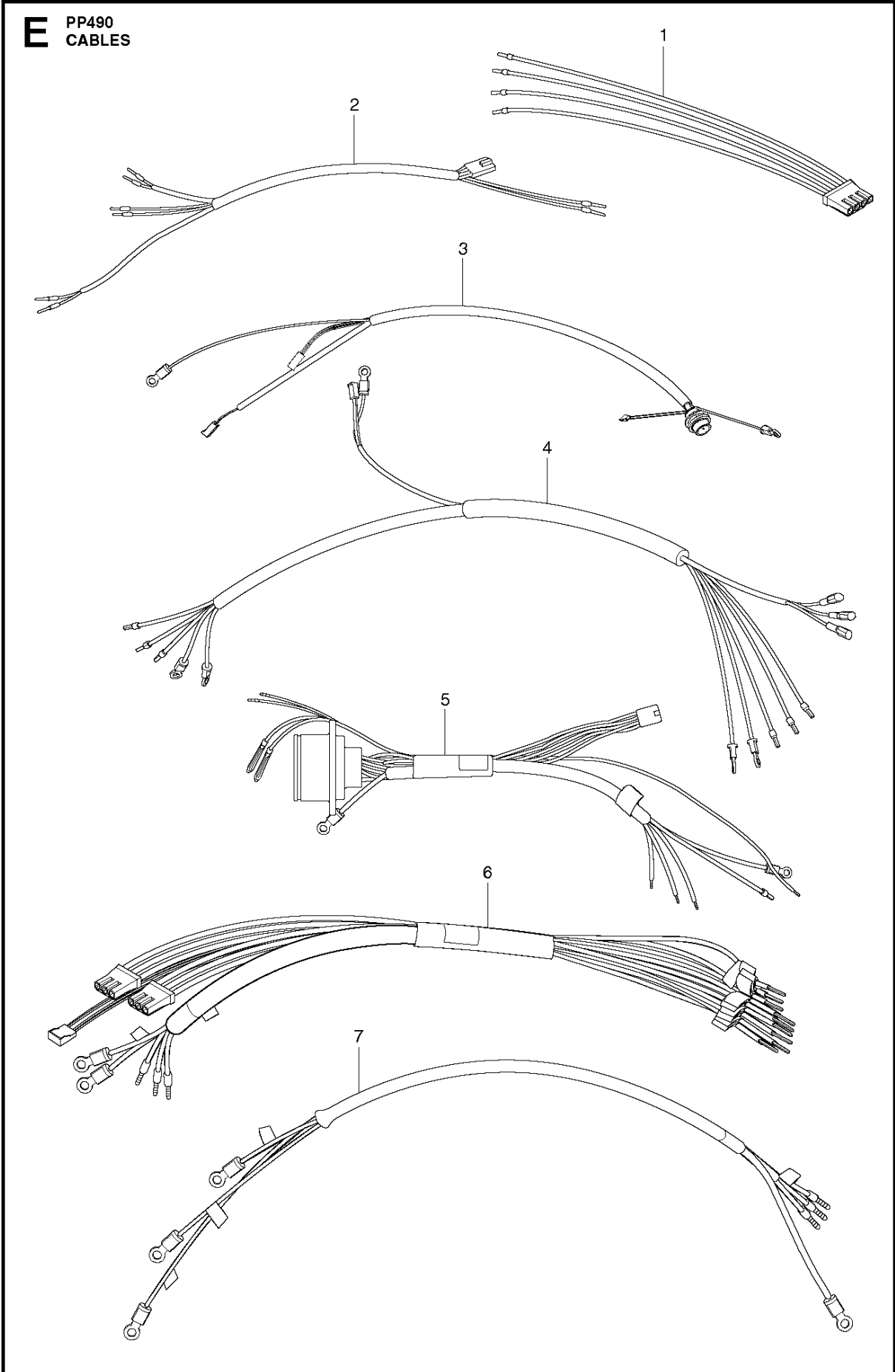




## ELECTRICAL

PP 490, 2016-01

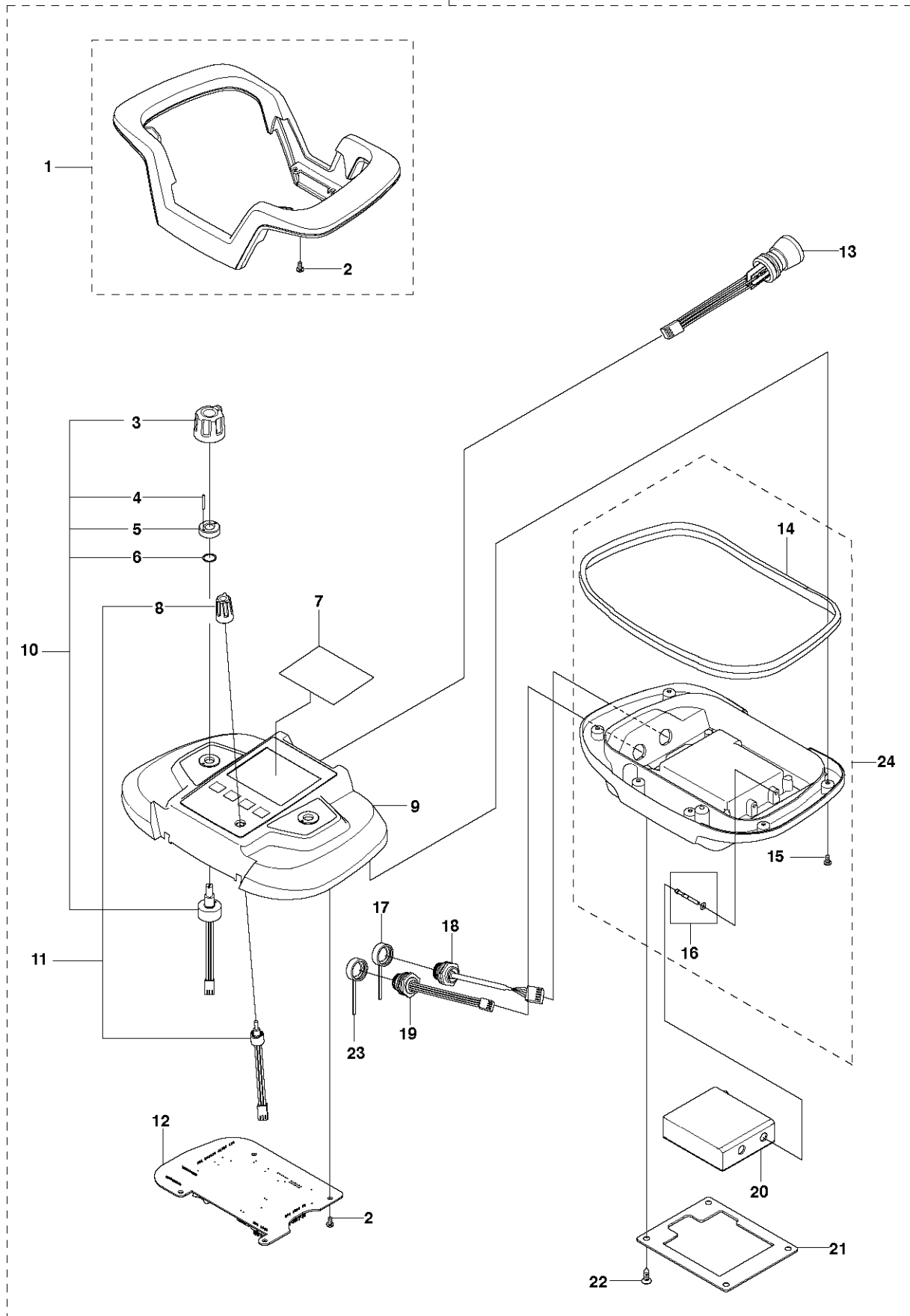
Ref	Part No	Description	Remark	QTY	KIT
1	531 11 71-31	SOCKET		1	
2	531 11 71-52	HOLDER		1	
3	575 61 74-02	SCREW		8	
4	734 11 35-71	WASHER		4	
5	578 31 05-01	SEALING		2	2
6	501 52 58-01	O-RING		1	
7	587 00 55-01	ELECTRIC BOX		1	
8	505 52 69-02	CABLE GROMMET		1	
9	505 52 69-01	CABLE GROMMET		1	
10	505 52 84-01	VENTILATING VALVE		2	
11	505 52 69-03	CABLE GROMMET		2	
12	577 24 36-01	PRCD		1	
13	587 00 57-01	COVER LID		1	
14	587 00 56-01	COVER HALF		1	
15	501 52 51-01	O-RING		1	
16	588 26 19-02	CONTACTOR		1	
17	588 26 27-01	FUSE		1	
18	588 26 28-01	COVER PLATE		1	
19	531 11 93-89	SCREW		4	
20	531 11 95-86	SCREW		4	
21	588 26 26-01	FUSE HOLDER		1	
22	588 26 24-01	TRANSFORMER		1	
23	581 48 65-02	ANGLE BRACKET		1	
24	531 11 92-08	SCREW		4	
25	734 11 46-01	WASHER		4	
26	522 52 50-01	ATTACHMENT PLATE		1	
27	531 11 93-88	SCREW		3	
28	588 49 76-01	PRINTED CIRCUIT		1	
29	531 12 33-62	MOTHERBOARD HOLDER		1	
30	531 11 92-60	WASHER		3	
31	725 53 31-01	SCREW IHSCM		3	
32	505 52 83-01	SCREW		3	
33	505 52 82-01	DISTANCE		3	
34	587 02 32-01	ANGLE BRACKET		1	
35	588 26 25-01	INTERLOCK SWITCH		1	
36	588 26 19-01	CONTACTOR		1	
37	588 26 20-01	CONTACTOR		1	
38	588 26 22-01	FUSE HOLDER		3	
39	588 26 23-01	FUSE		3	
40	581 64 53-01	STOP SWITCH		1	
41	505 52 77-02	CABLE KIT		1	
42	531 11 72-05	CIRCUIT BREAKER		1	
43	588 26 29-01	FUSE		1	
44	585 47 86-01	RUBBER PLUG		1	
45	587 02 87-01	CABLE ASSY		1	
46	588 26 43-01	PROTECTIVE CAP		1	
47	525 73 45-01	SEALING		1	
48	575 64 71-01	LAMP		1	
49	531 11 92-50	SCREW		3	
50	525 73 44-01	LID		1	
51	531 11 92-51	SCREW		1	
52	575 61 74-03	SCREW		4	
53	505 52 68-01	SOCKET		1	
54	505 52 92-01	CONTACT HOUSING		1	
55	575 39 41-01	GASKET		1	54
56	505 24 70-01	SHACKLE		2	54
57	505 52 87-01	CONSOLE		2	
58	505 52 89-01	FRAME		1	
59	575 33 54-01	COVER		1	
60	505 52 88-01	CONSOLE		1	
61	531 11 71-74	END SUPPORT		1	
62	735 21 46-01	LOCKWASHER		1	
63	731 23 14-01	HEXAGON NUT		1	



Ref	Part No	Description	Remark	QTY KIT
1	582 17 03-01	WIRING ASSY		1
2	587 11 30-01	CABLE ASSY		1
3	505 52 77-02	CABLE KIT		1
4	505 52 78-01	CABLE KIT		1
5	587 02 87-01	CABLE ASSY		1
6	587 02 85-01	CABLE ASSY		1
7	587 11 29-01	CABLE ASSY		1

**F** PP490  
RCC UNIT 1

25



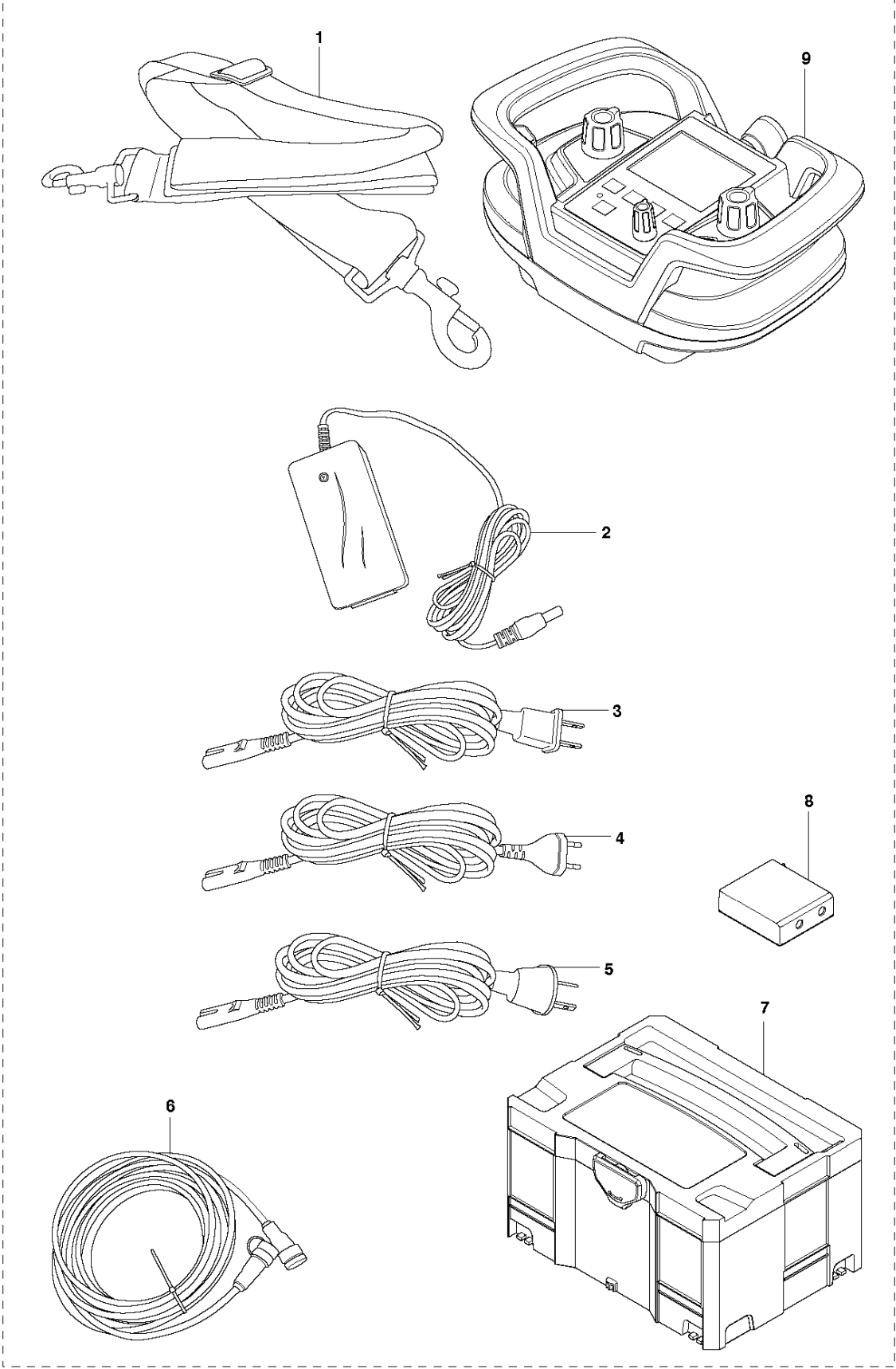
REMOTE CONTROL

PP 490, 2016-01

Ref	Part No	Description	Remark	QTY	KIT
1	576 25 34-01	HANDLE ASSY		1	26
2	578 77 61-01	SCREW ITXPANT		10	1, 26
3	576 25 94-01	TURNING KNOB ASSY		2	26
4	720 11 90-00	PARALLEL PIN		2	26
5	576 26 14-01	NUT		2	26
6	576 26 16-01	O-RING		2	26
7	585 30 68-01	PROTECTION		1	26
8	577 73 55-01	KNOB		1	26
9	585 96 39-01	DISPLAY	Also incl. pos 15	1	26
10	577 70 95-01	POTENTIOMETER		2	26
11	577 70 94-01	POTENTIOMETER		1	26
12	582 10 56-01	PRINTED CIRCUIT ASSY		1	26
13	576 81 51-01	SWITCH		1	26
14	576 88 80-02	SEALING STRIP		1	25, 26
15	578 77 61-02	SCREW ITXPANT		8	25, 26
16	577 71 10-01	SPRING PIN		2	25, 26
17	575 24 22-01	LID		1	26
18	575 22 93-01	CONTACT	USB	1	26
19	576 87 78-02	CONTACT	CAN	1	26
20	510 10 91-01	BATTERY		1	26
21	510 10 85-01	COVER PLATE		1	26
22	523 00 52-01	SCREW CRCSFT		4	26
23	585 47 86-01	RUBBER PLUG		1	26
24	586 18 04-01	COVER		1	26
25	578284802	REMOTE CONTROL		1	

**G** PP490  
RCC UNIT2

10

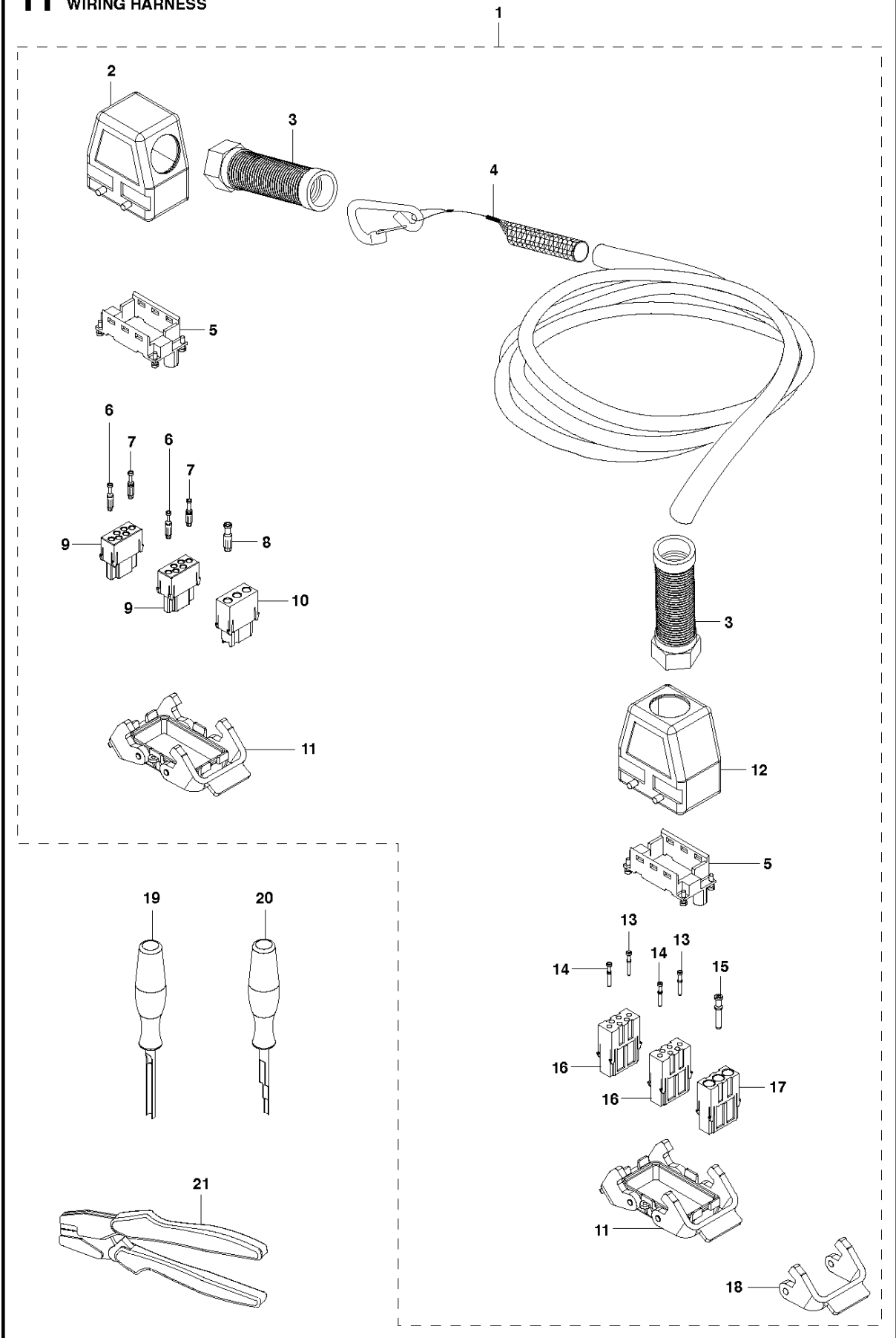


REMOTE CONTROL ACCESSORIES

PP 490, 2016-01

Ref	Part No	Description	Remark	QTY	KIT
1	506 29 76-61	SHOULDER STRAP		1	10
2	510 28 03-01	BATTERY		1	10
3	510 28 07-02	CABLE	US	1	10
4	510 28 07-01	CABLE	Eu	1	10
5	510 28 07-04	CABLE	Australia	1	10
6	577 05 99-02	CABLE ASSY		1	10
7	587 18 97-01	BOX		1	10
8	510 10 91-01	BATTERY		1	10
9	578284802	REMOTE CONTROL		1	10
10	586 11 50-01	CONTROL UNIT	Incl. 1 - 10	1	

**H** PP490  
WIRING HARNESS





## WIRING HARNESS

PP 490, 2016-01

Ref	Part No	Description	Remark	QTY KIT	
1	579 16 44-01	CABLE	Incl. 2-18	1	
2	522 93 14-01	COVER		1	1
3	575 95 08-01	CABLE GROMMET		2	1
4	580 76 33-01	CABLE HOLDER		1	1
5	522 93 15-01	FRAME		1	1
6	522 93 18-01	CONTACT PIN	Female 0,75mm <sup>2</sup>	4	1
7	531 11 73-62	CONTACT PIN	Female 2,5mm <sup>2</sup>	8	1
8	522 93 17-01	CONTACT PIN	Female 4mm <sup>2</sup>	3	1
9	505 52 87-01	CONSOLE		2	1
10	505 52 88-01	CONSOLE		1	1
11	505 32 70-01	COVER		1	1
12	522 93 20-01	COVER		1	1
13	531 11 73-20	CONTACT PIN	Male 2,5mm <sup>2</sup>	8	1
14	522 93 08-01	CONTACT PIN	Male 0,75mm <sup>2</sup>	4	1
15	522 93 22-01	CONTACT PIN	Male 4mm <sup>2</sup>	3	1
16	522 93 07-01	CONSOLE		2	1
17	522 93 21-01	CONSOLE		1	1
18	505 24 70-01	SHACKLE		4	1
19	522 93 43-01	TOOL	0,75-2,5mm <sup>2</sup>	1	
20	522 93 44-01	TOOL	4mm <sup>2</sup>	1	
21	522 93 41-01	TOOL		1	